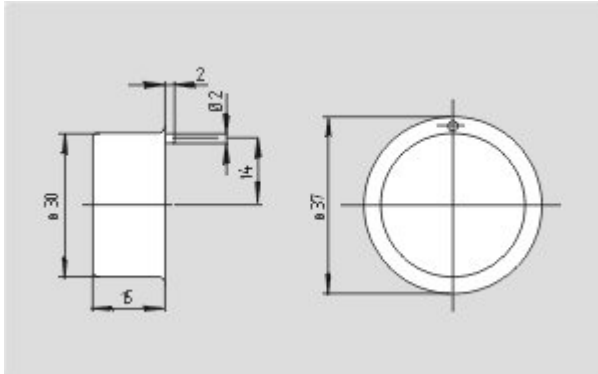


## Datasheet - BPS 303

Safety sensors / BNS 303 / Actuator



• Suitable for food processing industry

(Minor differences between the printed image and the original product may exist!)

### Ordering details

Product type description	BPS 303
Article number	1117076
EAN code	4030661023878

### Global Properties

Product name	Magnet
Materials	
- Material of the housings	Plastic
Weight	32 g

### Dimensions

Dimensions of the actuators	
- Width of the actuator	15 mm
- Diameter of the actuator	37 mm

### Included in delivery

tamperproof screws	1 piece
--------------------	---------

### Images